



Res

Italia 20038 Seregno (Mi)
 Via Cassina Savina, 49
 tel: +39 0362 238620
 fax: +39 0362 327860
 e-mail: info@resitalia.it
 www.resitalia.it

Date _____
 Customer _____
 Town _____
 Ref. _____

Sent by

Name _____
 Tel _____
 Fax _____
 E-mail _____
 Availability from _____

Delivery

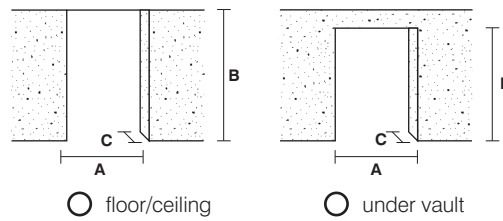
Usual place
 Ex - works
 Different place from usual _____
 Requested date _____

SLIDING DOORS

Product

- Levia
- Miss
- Decò
- Luna
- Dorsia
- Mood XL

Tipology and dimensions



A Available width cm _____
B Available height cm _____
C Wall thickness cm _____

In case of rail fitted into the plaster ceiling, supply us with the height floor/false ceiling once it has been installed.: cm _____ (see form page 480)

Rail YES NO

<input type="radio"/> Attached to the wall	<input type="radio"/> Attached to the ceiling	<input type="radio"/> Fitted in plaster ceiling
Quantity n° _____	Quantity n° _____	Quantity n° _____
Standard lenght <input type="checkbox"/> YES <input type="checkbox"/> NO n° _____	Standard lenght <input type="checkbox"/> YES <input type="checkbox"/> NO n° _____	Lenght cm _____ n° _____
Special lenght <input type="checkbox"/> YES <input type="checkbox"/> NO cm _____ n° _____	Special lenght <input type="checkbox"/> YES <input type="checkbox"/> NO cm _____ n° _____	<input type="radio"/> single <input type="radio"/> double <input type="radio"/> triple
Filler for the rear of the rails <input type="checkbox"/> YES <input type="checkbox"/> NO		<input type="radio"/> with wooden piece H _____

Panel YES NO

<input type="radio"/> Quantity n° _____	Client glass <input type="checkbox"/> YES <input type="checkbox"/> NO
<input type="radio"/> Glass finishing* _____	Client panel <input type="checkbox"/> YES <input type="checkbox"/> NO
<input type="radio"/> Glass finishing _____ + Lacquered panel finishing _____	One finishing <input type="checkbox"/> YES <input type="checkbox"/> NO
<input type="radio"/> Wood finishing _____	More finishing <input type="checkbox"/> YES <input type="checkbox"/> NO (show it on the drawing)
<input type="radio"/> Mat lacquered finishing _____	
<input type="radio"/> Glossy lacquered finishing _____	

* We supply the glass with the glossy side in the front and the mat side on the back. We can change them if you specify it when placing your order.

Frame YES NO

Quantity n° _____
 Finishing _____

Side beat YES NO (no Levia)

Quantity n° _____
 Finishing _____

Cross bars YES NO (no Decò/Levia/Miss)

Quantity (for door) n° _____
 Finishing _____

 In case of a special position of cross bar, please show it on the drawing.

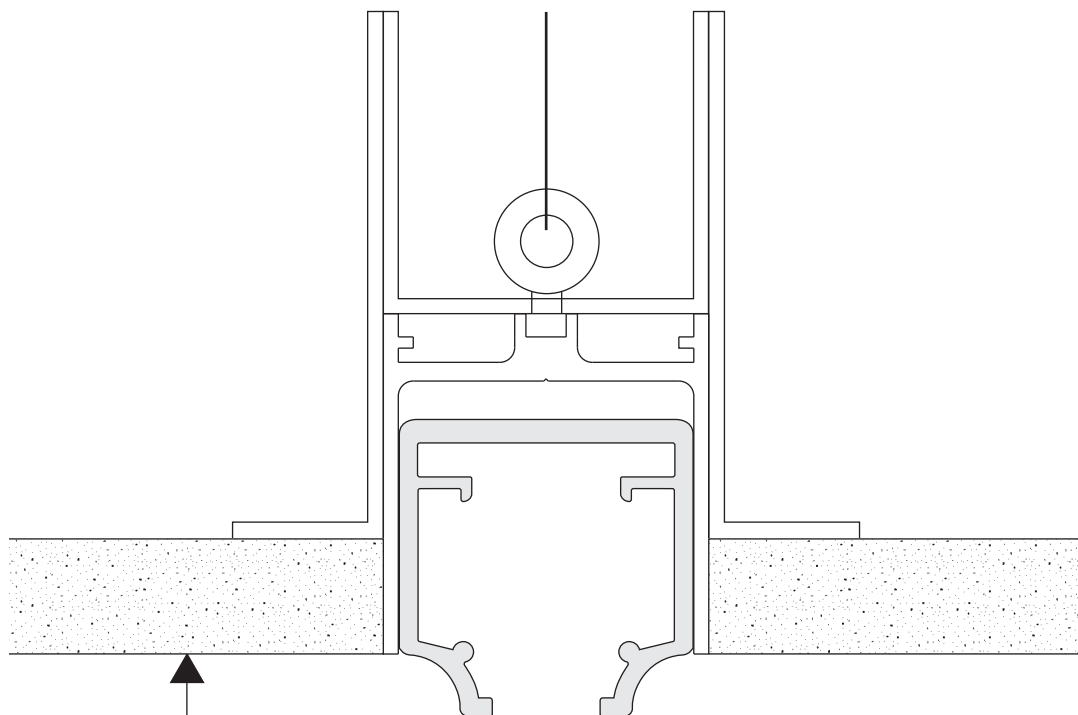
Handles YES NO

Standard Finishing _____
 From price list code _____
 Without handle (no hole)
 Extra handles YES NO _____
 Privacy lock YES NO _____

Soft Closing YES NO

Extra soft closing n° _____

SCHEMA PER RILIEVO MISURE BINARIO INCASSATO TAKING RIGHT DIMENSION WITH RECESSED RAIL



misure da rilevare
measurement needed